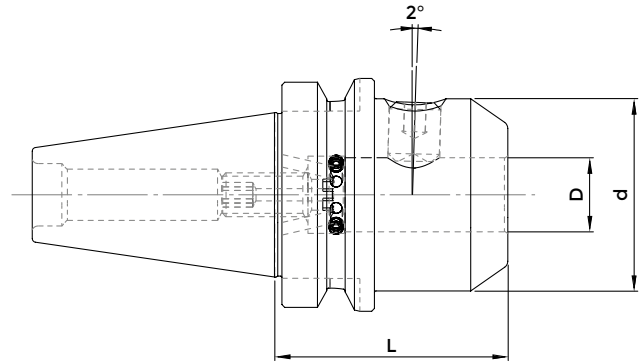


WHISTLE NOTCH END MILL HOLDERS



JIS-B 6339 MAS 403/BT SHAPE AD - DIN 1835 B

COD.	DESCRIPTION	ISO	D	L	d	G6.3 12000	1
							SCREW
4666	BT 40 - WN 6 / H 50	40	6	50	25	•	811-106001
4667	BT 40 - WN 8 / H 50	40	8	50	28	•	811-106002
4668	BT 40 - WN 10 / H 63	40	10	63	35	•	811-106004
4669	BT 40 - WN 12 / H 63	40	12	63	42	•	811-106005
4670	BT 40 - WN 14 / H 63	40	14	63	44	•	811-106005
213-31417	BT 40 - WN 16 / H 63	40	16	63	48	•	811-106006
4672	BT 40 - WN 18 / H 63	40	18	63	50	•	811-106006
213-31419	BT 40 - WN 20 / H 63	40	20	63	52	•	811-106007
213-31420	BT 40 - WN 25 / H 90	40	25	90	65	•	811-106008
213-31421	BT 40 - WN 32 / H 100	40	32	100	72	•	811-106009
213-31422	BT 40 - WN 40 / H 105	40	40	105	80	•	811-106009